

1

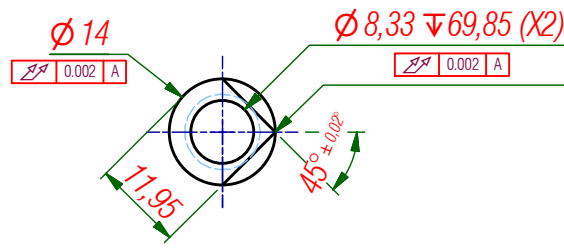
2

3

4

A

A



The vertex starts in the circumference centerline and must match with the circumference ± 0.05

B

B

C

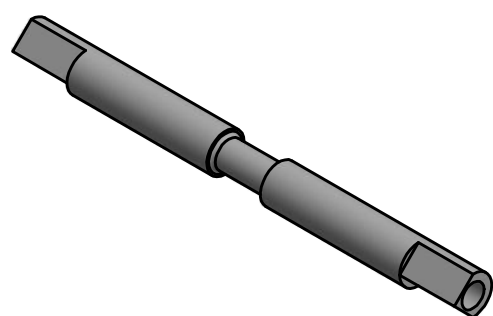
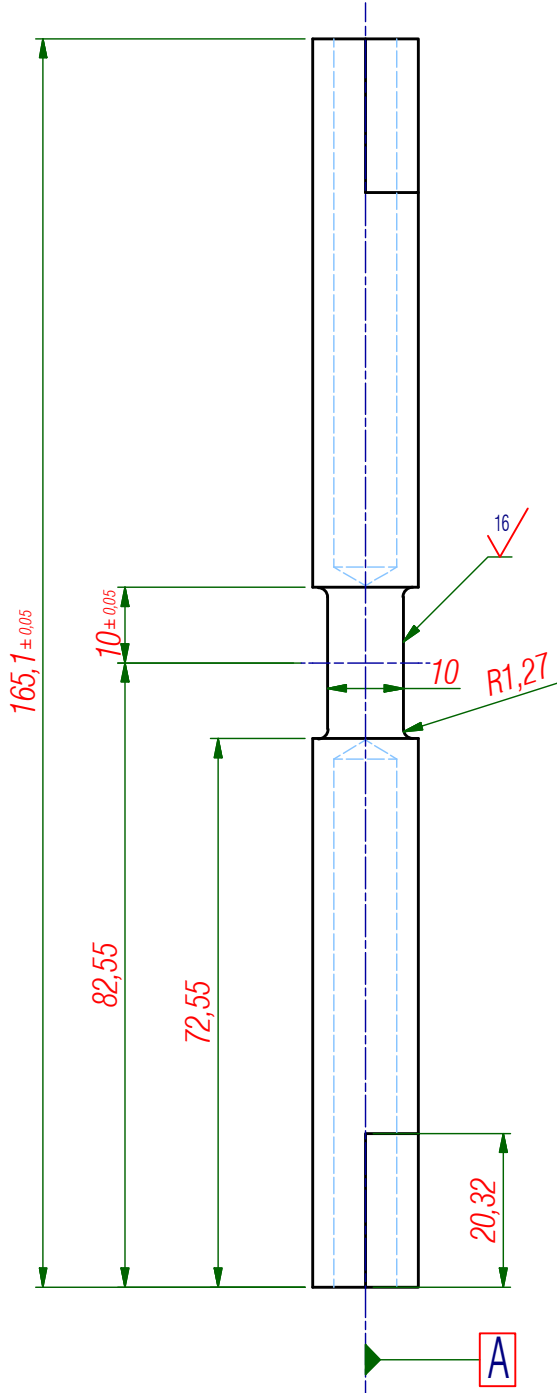
C

D

D

E

E



Not specified tolerances $\pm 0.05mm$

ACTIVITY CODE:		SCALE:	PROJECT:	AMO GLEEBLE 3800
CREATION:	wesley.satelis	29/04/2014		AMO_GLEEBLE3800_006.idw
PRINTED BY:	Thais 11/1/2013 15:23:19			
DIRECTORY:	R:\Grupos\CPM\funcionarios\Wesley\Projetos\AMO_GLEEBLE3800\AMO_GLEEBLE3800_006.ipt			



EXCEPT WHERE NOTED, TOLERANCES DIMENSIONS AND GEOMETRY AS NBR ISO 2768-fHAND GENERAL FINISH N8 (Ra 3,2µm).

1

2

3

4

F

F