

1

2

3

4

A

B

C

D

E

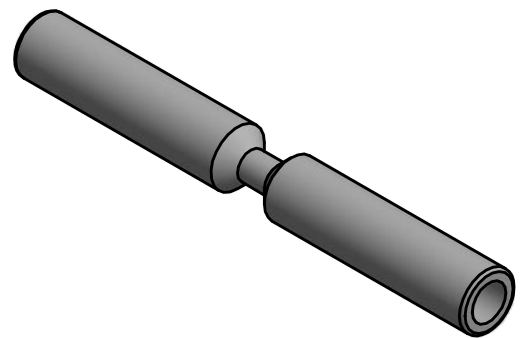
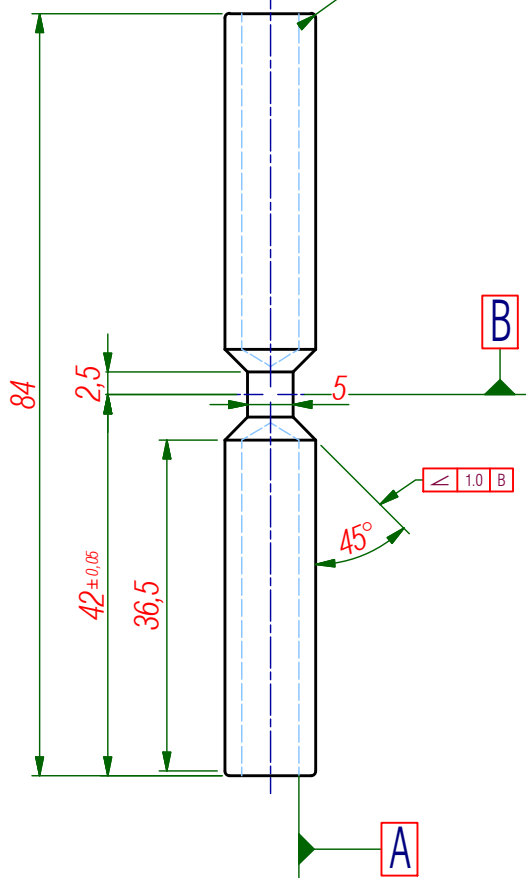
$\varnothing 10 \pm 0.05$

$\varnothing 0.025$  A

$\varnothing 6,3 \nabla 37 (X2)$

$\varnothing 0.025$  A

R0,5



*Not specified tolerances  $\pm 0.05\text{mm}$*

|   |  |            |          |                         |
|---|--|------------|----------|-------------------------|
| ACTIVITY CODE:  |  | SCALE:     | PROJECT: | AMO GLEEBLE 3800        |
| CREATION:   | wesley.satelis   | 29/04/2014 |          | AMO_GLEEBLE3800_002.idw |
| PRINTED BY:   | Thais 11/1/2013 15:23:19   |            |          |                         |
| DIRECTORY:  | R:\Grupos\CPM\funcionarios\Wesley\Projetos\AMO_GLEEBLE3800\AMO_GLEEBLE3800_002.ipt |            |          |                         |
| EXCEPT WHERE NOTED, TOLERANCES DIMENSIONS AND GEOMETRY AS NBR ISO 2768-f HAND GENERAL FINISH N8 (Ra 3,2µm). |  |            |          |                         |



1

2

3

4